



VET1 CLED Series Procedure Lights

CLED 32 Series

Product Features

LEDs from OSRAM. Optic Lens from French FRESNEL. Excellent optic performance. Energy saving and compact designing for easy cleaning. Multi-installation modes: Trolley-type, Wall-mounted, Ceiling-mounted.

Technical Parameters

- Luminance: Max≥60K Lux (5-stage dimming)
- Color Temperature: 4500K
- Color Rendering Index: ≥96
- Diameter of Light Spot: 160mm

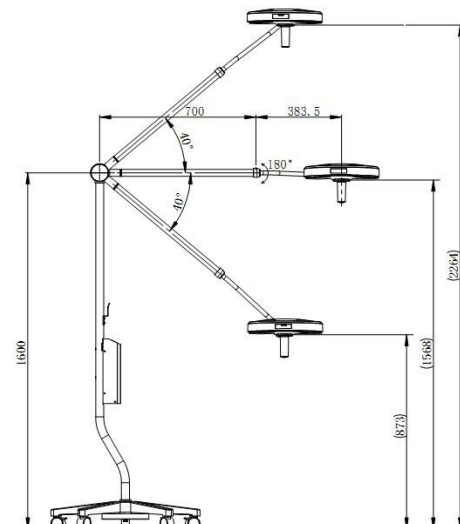
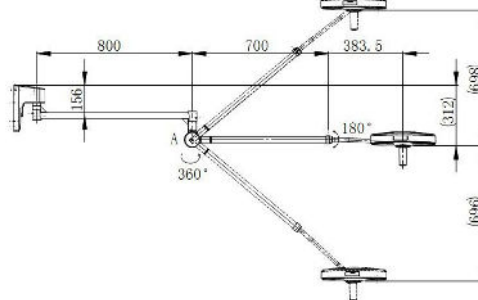
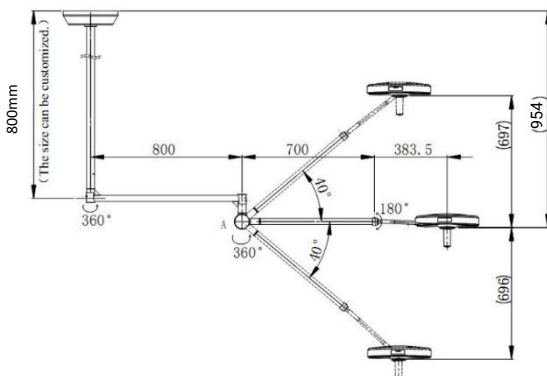


Instruction

- Technology
- Colour temp (K)
- Luminance (Lx) Max
- Irradiance (W/m²)
- Radiance energy (mW/m² lx)
- Diameter of light spot (mm)
- Colour rendering index (Ra)
- Adjustment of luminance
- Light head power consumption (W)
- Input power(VA)
- Working life (Hrs)

CLED32

- LED
- 4500K
- 60,000 LUX
- ≤210
- ≤3.6
- 160
- 96
- 5-stage dimming
- ≤15
- ≤20
- ≥40000



Please contact us on 1300 378 713 for more information